



Model: DLSG-401

Data

Type: Semi-hermetic piston compressors

Producer: Copeland

Series: DL

Model: DLSG-401

Technical data

Cylinder count:	2
Displacement [m ³ /h]:	22,5
Weight [kg]:	88
Oil charge [dm ³]:	2,3
Max. operating current [A]:	8,6
Locked rotor current [A]:	68,5
Power supply [V/~/Hz]:	380-420V/3/50Hz

Connections

	<u>milimeters</u>	<u>inches</u>
Suction line:		1 1/8"
Discharge line:		5/8"

R22

Cooling capacity [kW]

t_c \ t_e	-50	-45	-40	-35	-30	-25	-20
25	1.14	1.94	3.02	4.36	5.92	7.67	9.59
30	0.94	1.68	2.69	3.96	5.44	7.12	8.96
35	0.77	1.43	2.37	3.56	4.97	6.57	8.33
40	0.61	1.20	2.07	3.18	4.51	6.03	7.71
45	-	-	1.78	2.81	4.06	5.50	7.09
50	-	-	-	2.46	3.63	4.98	6.48
55	-	-	-	2.12	3.20	4.47	5.88

Power input [kW]

t_c \ t_e	-50	-45	-40	-35	-30	-25	-20
25	1.55	1.87	2.22	2.58	2.91	3.21	3.44
30	1.53	1.87	2.25	2.64	3.02	3.36	3.65
35	1.49	1.86	2.27	2.69	3.11	3.50	3.84
40	1.44	1.83	2.27	2.73	3.19	3.62	4.01
45	-	-	2.26	2.75	3.25	3.72	4.16
50	-	-	-	2.77	3.29	3.81	4.29
55	-	-	-	2.76	3.33	3.88	4.41

Current [A]

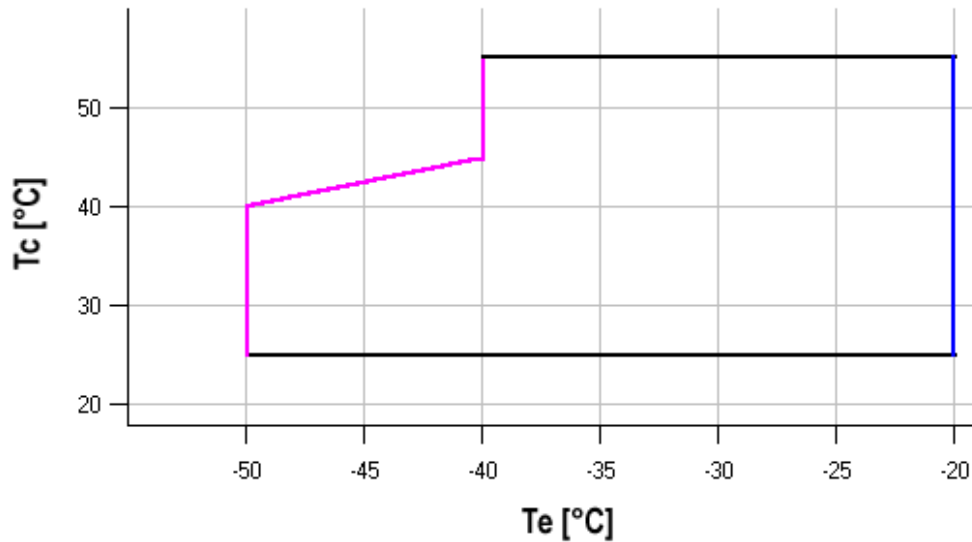
$t_c \setminus t_e$	-50	-45	-40	-35	-30	-25	-20
25	4.29	4.58	4.92	5.29	5.67	6.01	6.30
30	4.27	4.57	4.95	5.36	5.79	6.20	6.57
35	4.24	4.56	4.96	5.42	5.89	6.37	6.82
40	4.20	4.54	4.97	5.46	5.99	6.53	7.05
45	-	-	4.96	5.49	6.06	6.66	7.26
50	-	-	-	5.50	6.12	6.78	7.45
55	-	-	-	5.50	6.17	6.88	7.61

Mass flow [kg/s]

$t_c \setminus t_e$	-50	-45	-40	-35	-30	-25	-20
25	25.65	42.98	66.04	93.99	125.94	161.05	198.44
30	22.22	38.76	61.18	88.61	120.19	155.05	192.33
35	18.85	34.56	56.28	83.14	114.29	148.86	185.98
40	15.53	30.35	51.31	77.57	108.24	142.46	179.37
45	-	-	46.28	71.87	102.01	135.84	172.49
50	-	-	-	66.04	95.60	128.98	165.32
55	-	-	-	60.06	88.99	121.87	157.85

C.O.P. [W/W]

$t_c \setminus t_e$	-50	-45	-40	-35	-30	-25	-20
25	0.73	1.03	1.36	1.69	2.03	2.39	2.79
30	0.62	0.90	1.20	1.50	1.80	2.12	2.46
35	0.52	0.77	1.05	1.32	1.60	1.88	2.17
40	0.42	0.65	0.91	1.17	1.42	1.67	1.92
45	-	-	0.79	1.02	1.25	1.48	1.70
50	-	-	-	0.89	1.10	1.31	1.51
55	-	-	-	0.77	0.96	1.15	1.33

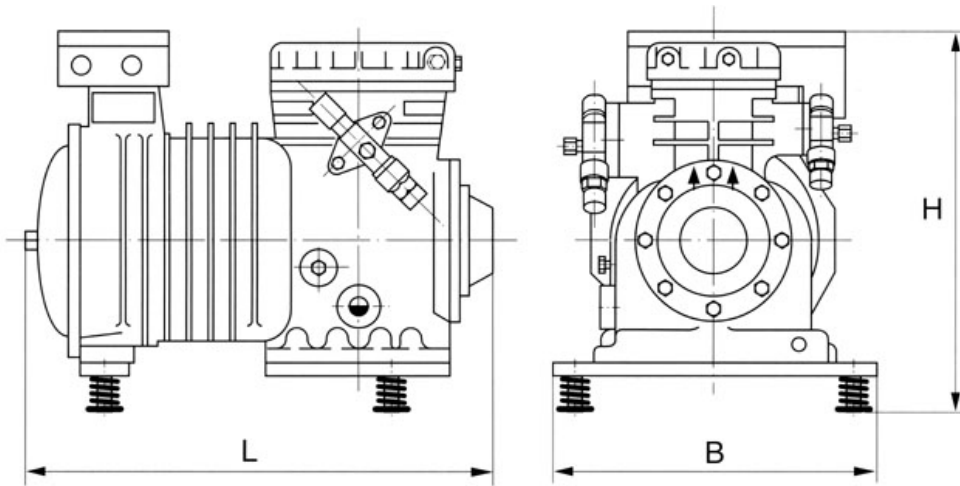
Application range


- Maximum evaporating temperature
- 25°C suction gas return + additional cooling

Operating conditions: ISO; subcooling: 0 K, suction superheat: 10 K, return gas temperature: -

t_c - Condensing temperature [°C]

t_e - Evaporating temperature [°C]



L	470 mm
B	330 mm
H	385 mm

